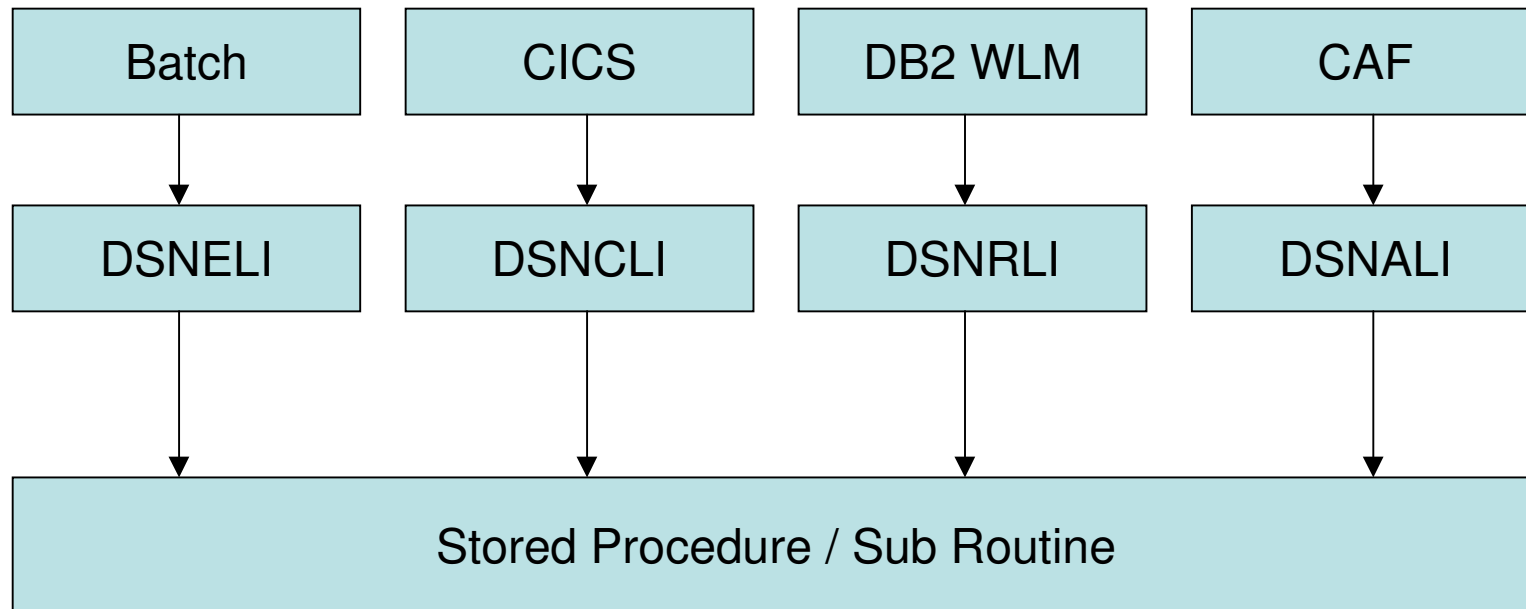


Samma laddmodul överallt



Samma laddmodul överallt

```
//CSN7446S JOB (1998,5060-070-8000-E569,T), 'ALIAS GEN',
//      CLASS=D,
//      MSGCLASS=Q,
//      MSGLEVEL=(1,1),
//      NOTIFY=CSN7446
/*****
//*
//*          LINKEDIT TO CREATE ALIAS FOR DSNELI
//*
/*****
//LKED      EXEC PGM=IEWL, PARM='XREF,LIST,NCAL', REGION=4M
//SYSLIB    DD DSN=E203.TEST1.SYS21.DSNLOAD, DISP=SHR
//SYSLMOD   DD DSN=D455.CSN7446.DSNLOAD.ELI, DISP=SHR
//SYSPRINT  DD SYSOUT=*
//SYSUT1    DD SPACE=(1024, (50,50)), UNIT=SYSDA
//SYSLIN    DD *
INCLUDE SYSLIB(DSNELI)
ALIAS DSNHLI
NAME DSNELI(R)
/*****
//*
//*          LINKEDIT TO CREATE ALIAS FOR DSNRLI
//*
/*****
//LKED      EXEC PGM=IEWL, PARM='XREF,LIST,NCAL', REGION=4M
//SYSLIB    DD DSN=E203.TEST1.SYS21.DSNLOAD, DISP=SHR
//SYSLMOD   DD DSN=D455.CSN7446.DSNLOAD.RLI, DISP=SHR
//SYSPRINT  DD SYSOUT=*
//SYSUT1    DD SPACE=(1024, (50,50)), UNIT=SYSDA
//SYSLIN    DD *
INCLUDE SYSLIB(DSNRLI)
ALIAS DSNHLI
NAME DSNRLI(R)
```

Samma laddmodul överallt

```
//*****  
//*  
//*      JCL FOR RUNNING THE WLM-ESTABLISHED STORED PROCEDURES  
//*      ADDRESS SPACE  
//*      RGN      -- THE MVS REGION SIZE FOR THE ADDRESS SPACE.  
//*      DB2SSN  -- THE DB2 SUBSYSTEM NAME.  
//*      NUMTCB  -- THE NUMBER OF TCBS USED TO PROCESS  
//*              END USER REQUESTS.  
//*      APPLENV -- THE MVS WLM APPLICATION ENVIRONMENT  
//*              SUPPORTED BY THIS JCL PROCEDURE.  
//*  
//*****  
//DB22TBE1  PROC RGN=0K,APPLENV=DB22TBE1,DB2SSN=DB22,NUMTCB=8  
//IEFPROC  EXEC PGM=DSNX9WLM,REGION=0K,TIME=NOLIMIT,  
//          PARM='DB22,8,DB22,8,DB22TBE1'  
//STEPLIB  DD  DISP=SHR,DSN=D455.CSN7446.DSNLOAD.RLI      ← Måste ligga först  
//          DD  DISP=SHR,DSN=E203.TEST1.SYS21.DSNLOAD  
//          DD  DISP=SHR,DSN=E203.TEST1.SYS21.RUNLIB.LOAD  
//          DD  DISP=SHR,DSN=CEE.SCEERUN  
//          DD  DISP=SHR,DSN=E569.TTB.PSMLOAD  
//SYSPRINT DD SYSOUT=*  
//SYSUDUMP DD SYSOUT=*  
//SYSOUT   DD SYSOUT=*  
//SYSMSG   DD SYSOUT=*  
//CEEDUMP  DD SYSOUT=*  
//SYSABEND DD SYSOUT=*  
//*DSNTRACE DD SYSOUT=*
```

Samma laddmodul överallt

```
//CSN7446P JOB (1998,5060-070-8000-E569,T),'PSM COB TEST',
//      CLASS=D,
//      MSGCLASS=Q,
//      REGION=0M,
//      MSGLEVEL=(1,1),
//      NOTIFY=CSN7446
//*
//*****
//* STEP 1: Run csntest. Last run 2002-10-09
//*****
//CSNTEST EXEC PGM=IKJEFT1B,DYNAMNBR=20
//STEPLIB DD DSN=CEE.SCEERUN,DISP=SHR
//      DD DSN=DSN=D455.CSN7446.DSNLOAD.ELI ← Måste ligga först
//      DD DSN=E203.TEST1.SYS21.DSNEXIT,DISP=SHR
//      DD DSN=E203.TEST1.SYS21.DSNLOAD,DISP=SHR
//      DD DSN=E203.TEST1.SYS21.RUNLIB.LOAD,DISP=SHR
//      DD DSN=E569.TTB.PSMLOAD,DISP=SHR
//      DD DSN=SYS1.SORTLPA.TESTOS28,DISP=SHR
//      DD DSN=SYS1.SICELINK.TESTOS28,DISP=SHR
//SYSTSPRT DD SYSOUT=*
//SYSTSIN DD *
DSN SYSTEM(DB22)
RUN PROGRAM(CSNTEST) PLAN(CSNTEST) -
LIB('E569.TTB.PSMLOAD')
END
//SYSPRINT DD SYSOUT=*
//SYSOUT DD SYSOUT=*
//SYSUDUMP DD SYSOUT=*
//SYSIN DD DUMMY
//*
```