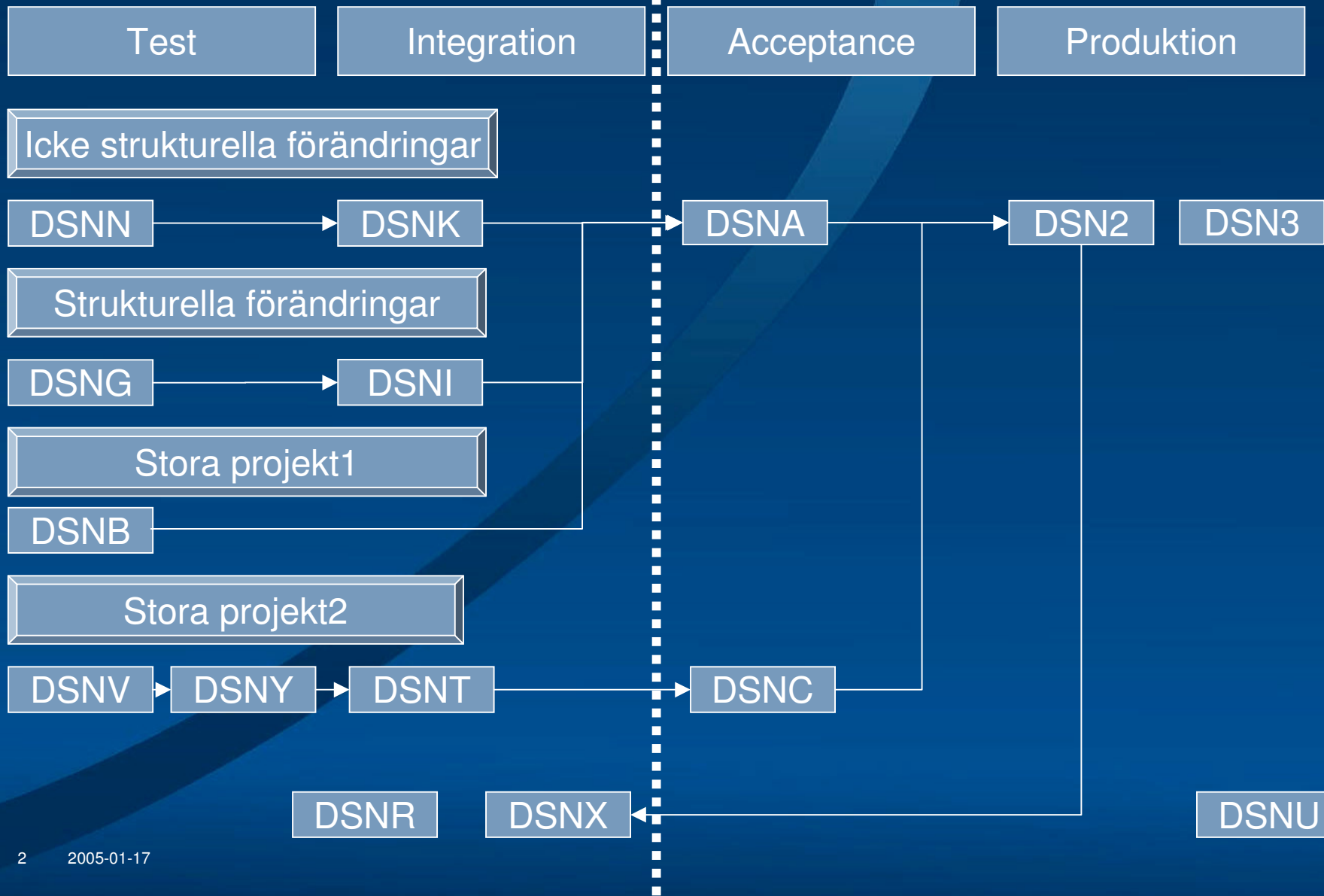




**Testmiljöer  
- hur håller vi allt i synk**

Mike Aghevli  
RUG 2005-01-19



DSNN

DSNK

DSNG

DSNI

DSNB

DSNV

DSNY

DSNT

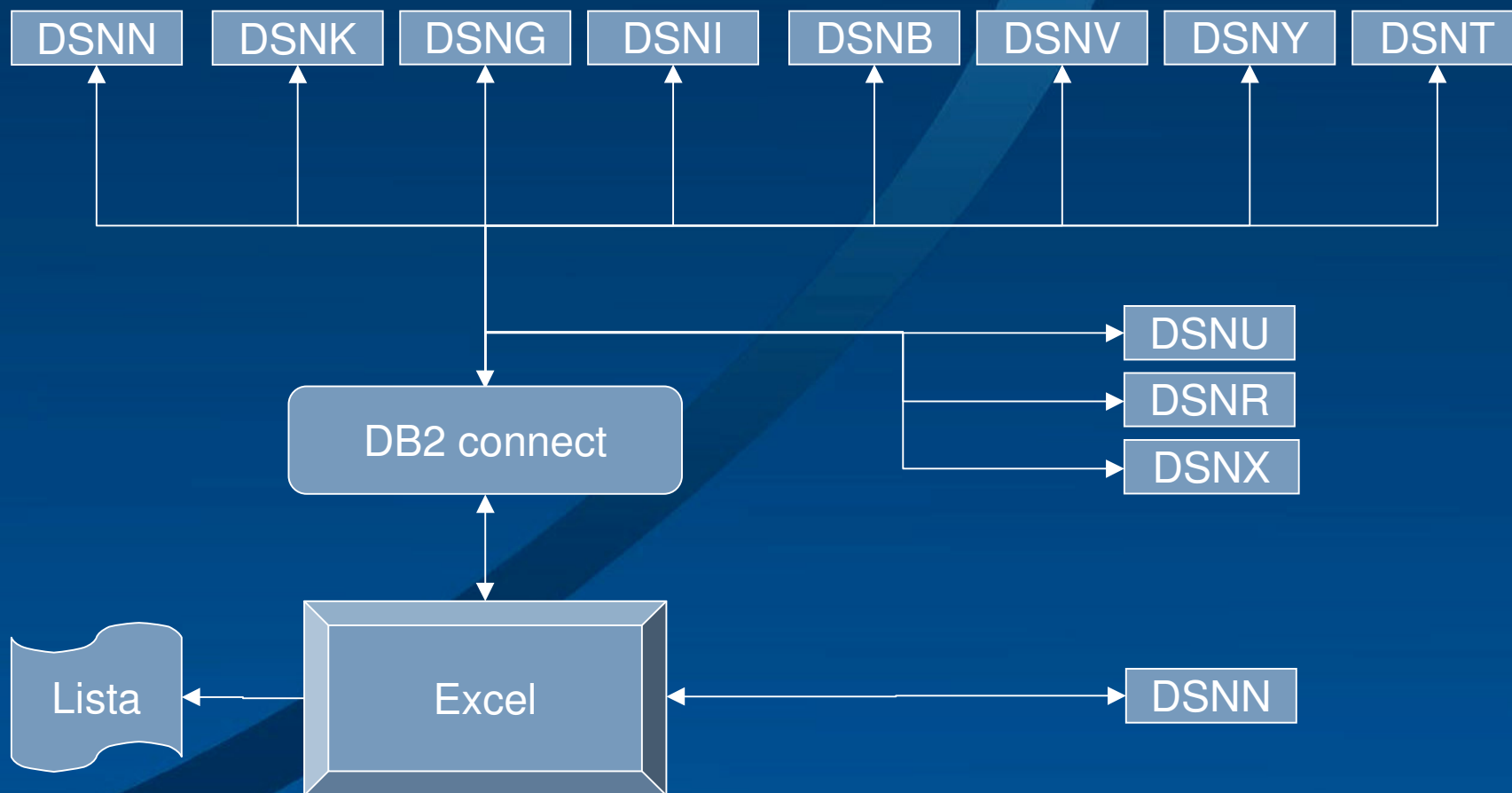
DSNU

DSNR

DSNX

- 11 st sub-system
- Sub-system i olika maskiner
- Den förändring som når produktionen först, skall synkas bakåt i samtliga sub-system

# Eget verktyg



Excelfilter används för att tex.kunna få lista per system

Microsoft Excel - tabellper.xls

File Edit View Insert Format Tools Data Window Help

Courier New 8 B I U % , .00 +.00

A1 = Tabellnamn

	A	B	C	D	E	F	G	H	I	J	K	L	M	N
1	Tabellnamn	Qualifier	Databas		Antal kolum	Rad län			Databas-mil					
4259	FNOABFAT	SYSODSNE	FNO001ED	FNOABFAS	11	316	N264030	CONNDSNE	FNO001	det saknas i sys0dsnf,				
4300	FNOABFAT	DEAODSNF	FNO001FD	FNOABFAS	11	316	N319420	CONNDSNF	FNO001					
4301	FNOABFAT	SYSODSNG	FNO001GD	FNOABFAS	11	316	N264030	CONNDSNG	FNO001					
4302	FNOABFAT	SYSODSNI	FNO001ID	FNOABFAS	11	316	N262950	CONNDSNI	FNO001					
4303	FNOABFAT	SYSODSNK	FNO001KD	FNOABFAS	11	316	N264030	CONNDSNK	FNO001					
4304	FNOABFAT	SYSODSNN	FNO001ND	FNOABFAS	11	316	N264030	CONNDSNN	FNO001					
4305	FNOABFAT	SYSODSNT	FNO001TD	FNOABFAS	11	316	N264030	CONNDSNT	FNO001					
4306	FNOABFAT	SYSODSNV	FNO001VD	FNOABFAS	11	316	N262950	CONNDSNV	FNO001					
4307	FNOABFAT	SYSODSNX	FNO001XD	FNOABFAS	11	316	N262950	CONNDSNX	FNO001					
4308	FNOABFAT	SYSODSNY	FNO001YD	FNOABFAS	11	316	N262950	CONNDSNY	FNO001					
4309	FNOABFBT	SYSODSNE	FNO001ED	FNOABFES	7	74	N117050	CONNDSNE	FNO001	det saknas i sys0dsnf,				
4310	FNOABFBT	DEAODSNF	FNO001FD	FNOABFES	7	74	N319420	CONNDSNF	FNO001					
4311	FNOABFBT	SYSODSNG	FNO001GD	FNOABFES	7	74	N264030	CONNDSNG	FNO001					
4312	FNOABFBT	SYSODSNI	FNO001ID	FNOABFES	7	74	N262950	CONNDSNI	FNO001					
4313	FNOABFBT	SYSODSNK	FNO001KD	FNOABFES	7	74	N264030	CONNDSNK	FNO001					
4314	FNOABFBT	SYSODSNN	FNO001ND	FNOABFES	7	74	N264030	CONNDSNN	FNO001					
4315	FNOABFBT	SYSODSNT	FNO001TD	FNOABFES	7	74	N264030	CONNDSNT	FNO001					
4316	FNOABFBT	SYSODSNV	FNO001VD	FNOABFES	7	74	N262950	CONNDSNV	FNO001					
4317	FNOABFBT	SYSODSNX	FNO001XD	FNOABFES	7	74	N262950	CONNDSNX	FNO001					
4318	FNOABFBT	SYSODSNY	FNO001YD	FNOABFES	7	74	N262950	CONNDSNY	FNO001					
4319	FNOABFOT	SYSODSNE	FNO001ED	FNOABFOS	11	148	N264030	CONNDSNE	FNO001	det saknas i sys0dsnf,				
4320	FNOABFOT	DEAODSNF	FNO001FD	FNOABFOS	11	148	N319420	CONNDSNF	FNO001					
4321	FNOABFOT	SYSODSNG	FNO001GD	FNOABFOS	11	148	N264030	CONNDSNG	FNO001					
4322	FNOABFOT	SYSODSNI	FNO001ID	FNOABFOS	11	148	N262950	CONNDSNI	FNO001					
4323	FNOABFOT	SYSODSNK	FNO001KD	FNOABFOS	11	148	N264030	CONNDSNK	FNO001					
4324	FNOABFOT	SYSODSNN	FNO001ND	FNOABFOS	11	148	N264030	CONNDSNN	FNO001					
4325	FNOABFOT	SYSODSNT	FNO001TD	FNOABFOS	11	148	N264030	CONNDSNT	FNO001					
4326	FNOABFOT	SYSODSNV	FNO001VD	FNOABFOS	11	148	N262950	CONNDSNV	FNO001					
4327	FNOABFOT	SYSODSNX	FNO001XD	FNOABFOS	11	148	N262950	CONNDSNX	FNO001					
4328	FNOABFOT	SYSODSNY	FNO001YD	FNOABFOS	11	148	N262950	CONNDSNY	FNO001					
4329	FNOABFUT	SYSODSNE	FNO001ED	FNOABFUS	18	215	N262950	CONNDSNE	FNO001	det saknas i sys0dsnf,				
4330	FNOABFUT	DEAODSNF	FNO001FD	FNOABFUS	18	215	N319420	CONNDSNF	FNO001					
4331	FNOABFUT	SYSODSNG	FNO001GD	FNOABFUS	18	215	N264030	CONNDSNG	FNO001					
4332	FNOABFUT	SYSODSNI	FNO001ID	FNOABFUS	18	215	N262950	CONNDSNI	FNO001					
4333	FNOABFUT	SYSODSNK	FNO001KD	FNOABFUS	18	215	N264030	CONNDSNK	FNO001					
4334	FNOABFUT	SYSODSNN	FNO001ND	FNOABFUS	18	215	N264030	CONNDSNN	FNO001					
4335	FNOABFUT	SYSODSNT	FNO001TD	FNOABFUS	18	215	N264030	CONNDSNT	FNO001					
4336	FNOABFUT	SYSODSNV	FNO001VD	FNOABFUS	18	215	N262950	CONNDSNV	FNO001					
4337	FNOABFUT	SYSODSNX	FNO001XD	FNOABFUS	18	215	N262950	CONNDSNX	FNO001					
4338	FNOABFUT	SYSODSNY	FNO001YD	FNOABFUS	18	215	N262950	CONNDSNY	FNO001					
4339	FNOABTKT	SYSODSNE	FNO001ED	FNOABTKS	8	64	N262950	CONNDSNE	FNO001	det saknas i sys0dsnf,				
4340	FNOABTKT	DEAODSNF	FNO001FD	FNOABTKS	8	64	N319420	CONNDSNF	FNO001					
4341	FNOABTKT	SYSODSNG	FNO001GD	FNOABTKS	8	64	N264030	CONNDSNG	FNO001					
4342	FNOABTKT	SYSODSNI	FNO001ID	FNOABTKS	8	64	N262950	CONNDSNI	FNO001					
4343	FNOABTKT	SYSODSNK	FNO001KD	FNOABTKS	8	64	N264030	CONNDSNK	FNO001					
4344	FNOABTKT	SYSODSNN	FNO001ND	FNOABTKS	8	64	N264030	CONNDSNN	FNO001					
4345	FNOABTKT	SYSODSNT	FNO001TD	FNOABTKS	8	64	N264030	CONNDSNT	FNO001					
4346	FNOABTKT	SYSODSNV	FNO001VD	FNOABTKS	8	64	N262950	CONNDSNV	FNO001					
4347	FNOABTKT	SYSODSNX	FNO001XD	FNOABTKS	8	64	N262950	CONNDSNX	FNO001					
4348	FNOABTKT	SYSODSNY	FNO001YD	FNOABTKS	8	64	N262950	CONNDSNY	FNO001					
4349	FNOAVAKT	SYSODSNE	FNO001ED	FNOAVAKS	3	41	P002140	CONNDSNE	FNO001	det saknas i sys0dsnf,				
4350	FNOAVAKT	DEAODSNF	FNO001FD	FNOAVAKS	3	41	N319420	CONNDSNF	FNO001					
4351	FNOAVAKT	SYSODSNG	FNO001GD	FNOAVAKS	3	41	N264030	CONNDSNG	FNO001					

Färger används för att urskilja olika tabeller

Microsoft Excel - tabellper.xls

File Edit View Insert Format Tools Data Window Help

Courier New

K10847

	A	B	C	D	E	F	G	H	I	
10820	IAODAGST	SYSODSNE	IA0001BD	IAODAGSS	15	82	N262950	CONND-SNE	IA0001	det saknas
10821	IAODAGST	DBAODSNF	IA0001FD	IAODAGSS	15	82	N335570	CONND-SNF	IA0001	
10822	IAODAGST	SYSODSNG	IA0001GD	IAODAGSS	15	82	N262950	CONND-SNG	IA0001	
10823	IAODAGST	SYSODSNI	IA0001ID	IAODAGSS	15	82	N262950	CONND-SNI	IA0001	
10824	IAODAGST	SYSODSNK	IA0001KD	IAODAGSS	15	82	N262950	CONND-SNK	IA0001	
10825	IAODAGST	SYSODSNN	IA0001ND	IAODAGSS	15	82	N087490	CONND-SNN	IA0001	
10826	IAODAGST	SYSODSNT	IA0001TD	IAODAGSS	15	82	N262950	CONND-SNT	IA0001	
10827	IAODAGST	SYSODSNV	IA0001VD	IAODAGSS	15	82	N117050	CONND-SNV	IA0001	
10828	IAODAGST	SYSODSNX	IA0001XD	IAODAGSS	15	82	N262950	CONND-SNX	IA0001	
10829	IAODAGST	SYSODSNY	IA0001YD	IAODAGSS	15	82	N262950	CONND-SNY	IA0001	
10830	IAODEPFT	SYSODSNE	IA0001BD	IAODEPFS	16	130	N262950	CONND-SNE	IA0001	det saknas
10831	IAODEPFT	DBAODSNF	IA0001FD	IAODEPFS	16	130	N335570	CONND-SNF	IA0001	
10832	IAODEPFT	SYSODSNG	IA0001GD	IAODEPFS	16	130	N262950	CONND-SNG	IA0001	
10833	IAODEPFT	SYSODSNI	IA0001ID	IAODEPFS	16	130	N262950	CONND-SNI	IA0001	
10834	IAODEPFT	SYSODSNK	IA0001KD	IAODEPFS	16	130	N262950	CONND-SNK	IA0001	
10835	IAODEPFT	SYSODSNN	IA0001ND	IAODEPFS	16	130	N264030	CONND-SNN	IA0001	
10836	IAODEPFT	SYSODSNT	IA0001TD	IAODEPFS	16	130	N264030	CONND-SNT	IA0001	
10837	IAODEPFT	SYSODSNV	IA0001VD	IAODEPFS	16	130	N262950	CONND-SNV	IA0001	
10838	IAODEPFT	SYSODSNX	IA0001XD	IAODEPFS	16	130	N262950	CONND-SNX	IA0001	
10839	IAODEPFT	SYSODSNY	IA0001YD	IAODEPFS	16	130	N262950	CONND-SNY	IA0001	
10840	IAODEPHT	SYSODSNE	IA0001BD	IAODEPHS	15	119	N089090	CONND-SNE	IA0001	det saknas i sys0dsnf,
10841	IAODEPHT	DBAODSNF	IA0001FD	IAODEPHS	15	119	N335570	CONND-SNF	IA0001	
10842	IAODEPHT	SYSODSNG	IA0001GD	IAODEPHS	16	130	N262950	CONND-SNG	IA0001	
10843	IAODEPHT	SYSODSNI	IA0001ID	IAODEPHS	16	130	N262950	CONND-SNI	IA0001	
10844	IAODEPHT	SYSODSNK	IA0001KD	IAODEPHS	15	119	N089090	CONND-SNK	IA0001	
10845	IAODEPHT	SYSODSNN	IA0001ND	IAODEPHS	15	119	N264030	CONND-SNN	IA0001	
10846	IAODEPHT	SYSODSNT	IA0001TD	IAODEPHS	15	119	N264030	CONND-SNT	IA0001	
10847	IAODEPHT	SYSODSNV	IA0001VD	IAODEPHS	15	119	N262950	CONND-SNV	IA0001	
10848	IAODEPHT	SYSODSNX	IA0001XD	IAODEPHS	15	119	N262950	CONND-SNX	IA0001	
10849	IAODEPHT	SYSODSNY	IA0001YD	IAODEPHS	15	119	N262950	CONND-SNY	IA0001	
10850	IAODEPST	SYSODSNE	IA0001BD	IAODEPSS	54	572	N262950	CONND-SNE	IA0001	det saknas i sys0dsn:
10851	IAODEPST	DBAODSNF	IA0001FD	IAODEPSS	54	572	N335570	CONND-SNF	IA0001	
10852	IAODEPST	SYSODSNG	IA0001GD	IAODEPSS	54	572	N262950	CONND-SNG	IA0001	
10853	IAODEPST	SYSODSNI	IA0001ID	IAODEPSS	54	572	N262950	CONND-SNI	IA0001	
10854	IAODEPST	SYSODSNK	IA0001KD	IAODEPSS	54	572	N262950	CONND-SNK	IA0001	
10855	IAODEPST	SYSODSNN	IA0001ND	IAODEPSS	54	572	N264030	CONND-SNN	IA0001	
10856	IAODEPST	SYSODSNT	IA0001TD	IAODEPSS	54	572	N264030	CONND-SNT	IA0001	
10857	IAODEPST	SYSODSNV	IA0001VD	IAODEPSS	54	572	N262950	CONND-SNV	IA0001	
10858	IAODEPST	SYSODSNX	IA0001XD	IAODEPSS	54	572	N262950	CONND-SNX	IA0001	
10859	IAODEPST	SYSODSNY	IA0001YD	IAODEPSS	54	572	N262950	CONND-SNY	IA0001	
10860	IAODIFFT	SYSODSNE	IA0001BD	IAODIFFS	17	116	N262950	CONND-SNE	IA0001	det saknas i sys0dsnf,
10861	IAODIFFT	DBAODSNF	IA0001FD	IAODIFFS	17	116	N335570	CONND-SNF	IA0001	
10862	IAODIFFT	SYSODSNG	IA0001GD	IAODIFFS	17	116	N262950	CONND-SNG	IA0001	
10863	IAODIFFT	SYSODSNI	IA0001ID	IAODIFFS	17	116	N262950	CONND-SNI	IA0001	
10864	IAODIFFT	SYSODSNK	IA0001KD	IAODIFFS	17	116	N262950	CONND-SNK	IA0001	
10865	IAODIFFT	SYSODSNN	IA0001ND	IAODIFFS	17	116	N087490	CONND-SNN	IA0001	
10866	IAODIFFT	SYSODSNT	IA0001TD	IAODIFFS	17	116	N262950	CONND-SNT	IA0001	
10867	IAODIFFT	SYSODSNV	IA0001VD	IAODIFFS	17	116	N117050	CONND-SNV	IA0001	
10868	IAODIFFT	SYSODSNX	IA0001XD	IAODIFFS	17	116	N262950	CONND-SNX	IA0001	
10869	IAODIFFT	SYSODSNY	IA0001YD	IAODIFFS	17	116	N262950	CONND-SNY	IA0001	
10870	IAODTAPT	SYSODSNE	IA0001BD	IAODTABS	134	953	N262950	CONND-SNE	IA0001	det saknas i sys0dsnf,
10871	IAODTAPT	DBAODSNF	IA0001FD	IAODTABS	134	953	N335570	CONND-SNF	IA0001	
10872	IAODTAPT	SYSODSNG	IA0001GD	IAODTABS	134	953	N262950	CONND-SNG	IA0001	
10873	IAODTAPT	SYSODSNI	IA0001ID	IAODTABS	134	953	N262950	CONND-SNI	IA0001	
10874	IAODTAPT	SYSODSNK	IA0001KD	IAODTABS	134	953	N262950	CONND-SNK	IA0001	

960 of 27383 records found

LISTA1 / Statment Per Mellan T och F

Start | Inb... | Inb... | Session A... | J:\ | Microsoft... | Microsoft... | Lexin sve... | 13:48

Diverse färger används när rec-längd eller antal kol inte är lika i olika miljöer

Text visas när tabell saknas i viss miljö